

ULTRASONIC LEVEL TRANSMITTER



ULTRASONIC LEVEL TRANSMITTER

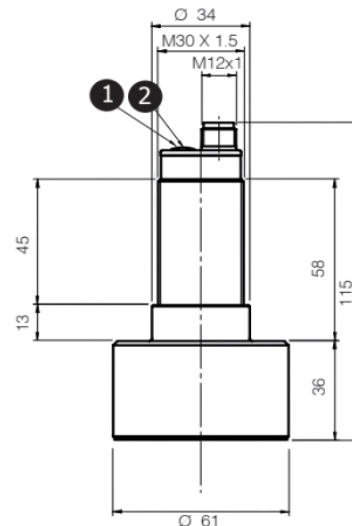
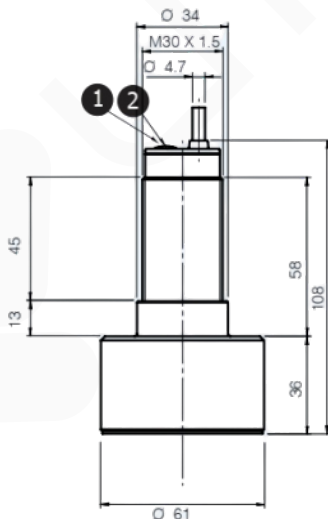
FEATURE

- ✦ UT - 2007 Ultrasonic Sensor with Standard Housing & with Large Front with high Performance & Large Sensing Distance.
- ✦ Adjustable hysteresis Function: models with double digital programmable output specific for level indication.
- ✦ Programmable with Voltage & Current Output to Level Indicator or Controllers.
- ✦ Wide sensing Range from 250 mm to 8000 mm.
- ✦ Adjustable Working Area for all models with Quick and easy Installation.

APPLICATION

- ✦ Industrial Level Monitoring Application.
- ✦ Liquid Level Control.
- ✦ Tank Farm Monitoring
- ✦ Chemical & Pharmaceutical Plant Storage Tank Monitoring
- ✦ Liquid Batching and Storage.

DIMENSION



ULTRASONIC LEVEL TRANSMITTER

TECHNICAL SPECIFICATION

OUTPUT SIGNAL	4 - 20 mA / 0 - 10 V DC
SENSING DISTANCE	250 mm to 8000 mm
BEAM ANGLE	10° +/- 2°
SWITCHING FREQUENCY	1 Hz
RESPONSE TIME	1 Second
HYSTERESIS	1% of Full Scale
REPEATIBILITY	1% of Full Scale
RESOLUTION	10 mm
LINEARITY ERROR	1% of Full Scale
TEMPERATURE RANGE	-20° C to 70° C
OPERATING VOLTAGE	10 - 30 V DC
TEMPERATURE DRIFT	+/- 5%
RIPPLE	5%
LEACKAGE CURRENT	<= 10 µA @ 30 V DC
OUTPUT VOLTAGE DROP	2.2 V DC Max.
ACTIVE HEAD MATERIAL	Epoxy - Glass Resin
LED	Green - Echo & Yellow - Output
STORAGE TEMPERATURE	-30°C to 80° C without Freeze